



INSTALLATION INSTRUCTIONS

Part Number KA-8088 and YA-8096

This filter fits: SEE CATALOG FOR CURRENT APPLICATIONS

Congratulations, you have purchased the finest air filter that money can buy. With proper care, this filter can last many seasons. This filter can be used in a stock machine, with no modifications required. If any engine modifications have been made tuning/jetting adjustments may be required. There are special installation instructions, so please follow the procedures outlined below to ensure the K&N Filtercharger® seals properly.

INSTALLATION

1. Remove the stock air filter.
2. Apply a thin layer of the provided K&N Sealing Grease to the sealing surface of the K&N Filtercharger®. (Fig. 1)
3. Install the K&N Filtercharger® into the air box.
Note: Position the parts as shown in the diagram below.
4. Tighten the wing bolt.

Available to purchase separately

Precharger Wrap; 22-8088PK

THESE INSTRUCTIONS MUST BE FOLLOWED EVERY TIME THE FILTER IS SERVICED, OTHERWISE THE FILTER MAY NOT SEAL, AND DAMAGE TO THE ENGINE COULD RESULT.

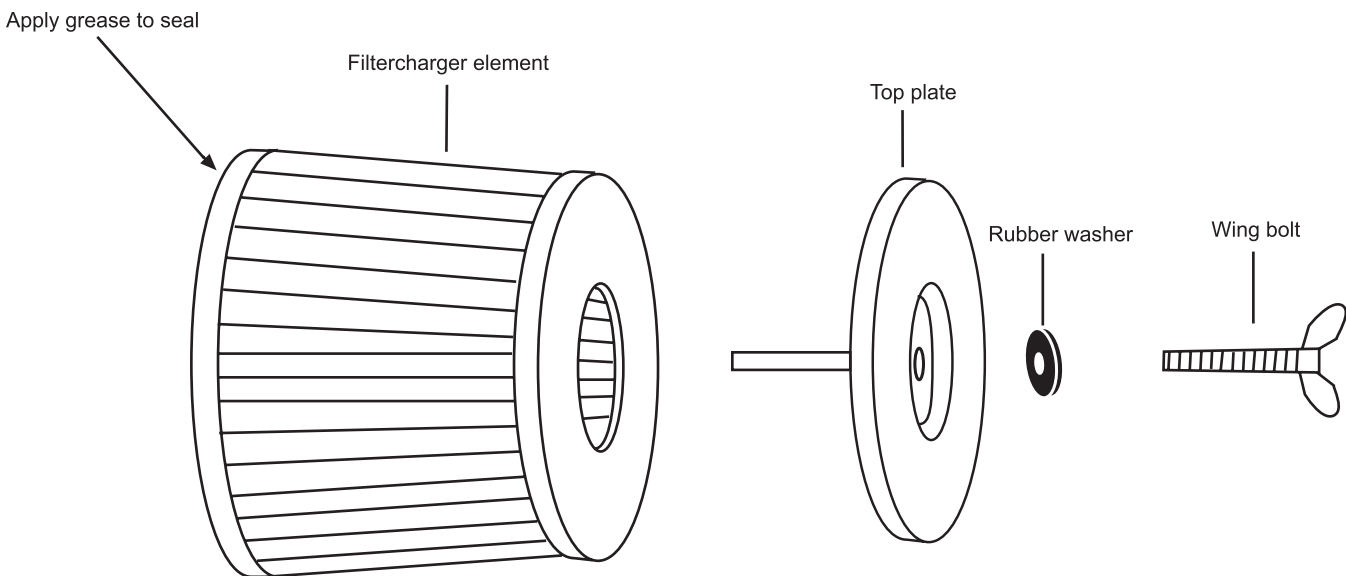


Fig. 1