



03-02-'21 REV.00

LeoVince®

leovince.com - info@leovince.com

Europe Customer Service:
info@leovince.comUSA Customer Service:
infousa@leovince.com - +1-844-536-7625

LeoVince®

INFORMAZIONI TECNICHE
TECHNICAL INFORMATION
INFORMATIONS TECHNIQUES
TECHNISCHE INFORMATIONEN
INFORMACIONES TECNICASART. 15241C
SLIP-ON
LV-10 CARBONOmologato - Approved
Homologué - Homologado
E-Zugelassene SportschalldämpferBMW S1000 RR
TYPE: 2R99; 0E21/A**I**

Gentile Cliente, La ringraziamo per aver scelto di entrare nel mondo LeoVince. Il prodotto da Lei scelto è stato realizzato con la massima attenzione dei particolari ed utilizzando solamente materiali di prima qualità. La precisione nel dettaglio costruttivo è garantita da un'attenzione artigianale, abbinata all'uso di avanzate tecnologie produttive che consentono un costante controllo della qualità. Le informazioni contenute in questo libretto Le saranno utili per approfondire la conoscenza del prodotto e Le forniranno utili consigli per l'installazione e la manutenzione; inoltre potrà verificare i termini della garanzia ufficiale LeoVince, presente su ogni articolo. Nel caso dell'acquisto di un terminale omologato, troverà tutte le specifiche di omologazione, compresi i certificati in copia, utili in caso di contestazione da parte delle autorità.

GB

Dear Rider and Customer, We are grateful to you for choosing LeoVince. The product you have purchased has been manufactured with maximum attention to detail, and using only materials of the highest quality. The precision achieved in manufacture of particular details is guaranteed by the care of our craftsmen, who benefit from advanced manufacturing technology, which provides a constant check on quality. The information contained in this booklet will be useful for you to familiarise yourself with the product, and will provide help with fitting and maintenance. It also details the terms of the official LeoVince guarantee, which covers each article. If you have purchased a street legal exhaust, you will also find details of its homologation, including a copy of the certificate, which you should retain in case of any enquiry from the relevant authority.

F

Madame, Monsieur, Chère Cliente et Cher Client, Nous tenons tout d'abord à vous remercier pour avoir choisi un produit LeoVince. Le produit que vous avez acheté, a été soigneusement fabriqué, dans le tout petit détail, en utilisant que des matériaux de qualité. La précision du détail de construction est garantie par une fabrication artisanale, ainsi que par l'emploi de technologies de production à l'avant-garde qui permettent un contrôle constant de la qualité. Les informations contenues dans la présente notice d'emploi vous permettront d'approfondir votre connaissance du produit et vous fourniront des conseils utiles pour l'installation et l'entretien du produit; vous pourrez également vérifier les termes de la garantie officielle LeoVince, proposée sur chaque article. En cas d'achat d'un échappement homologué, vous y trouverez toutes les spécifications d'homologation, ainsi que les copies des certificats, utiles en cas de contestation par les autorités.

2

NOTE / NOTES / REMARQUES /
ANMERKUNGEN / NOTAS**D**

Lieber Kunde, wir bedanken uns, daß Sie sich für ein Erzeugnis aus dem Hause LeoVince entschieden haben. Bei dem von Ihnen erworbenen Produkt wurde dem Detail größte Sorgfalt beigemessen und es wurden ausschließlich hochwertige Materialien verwendet. Diese Präzision wird sowohl durch handwerkliche Sorgfalt, durch den Einsatz fortschrittlicher Produktionstechnologien sowie durch die eine konstante Qualitätskontrolle ermöglicht. Die in diesem Heft enthaltenen Informationen werden Ihnen helfen, Ihr Produkt besser kennenzulernen. Außerdem werden Ihnen viele nützliche Ratschläge für die Installation und Wartung gegeben. Zusätzlich erhalten Sie Kenntnis von den offiziellen LeoVince-Garantiebedingungen. Beim Kauf eines Endtopfs mit Zulassung finden Sie ferner alle Zulassungspapiere einschließlich einer Kopie der Zertifikate, die im Fall eventueller behördlicher Beanstandungen hilfreich sind.

E

Estimado cliente, le estamos muy agradecidos por haber elegido un artículo LeoVince. El producto que ha adquirido ha sido realizado con la máxima atención en los detalles y utilizando solamente materiales de primera calidad. La precisión en los detalles de fabricación está garantizada por una elaboración artesanal, asociada al uso de modernas tecnologías productivas que permiten un constante control de la calidad. Las informaciones contenidas en este manual le serán de utilidad para profundizar en el conocimiento del producto y le suministrarán consejos útiles para la instalación y el mantenimiento; además podrá verificar los términos de la garantía oficial LeoVince, que cubre cada artículo. En caso de compra de un producto homologado, encontrará todas las especificaciones de homologación, incluyendo copia de los certificados, útiles en caso de controles por parte de las autoridades.

3

WARNING / USA: Various U.S. states and the U.S. federal government have individual laws regulating the use of aftermarket exhaust parts and systems, especially as those parts and systems modify, remove, or replace original equipment catalysts. Please consult the appropriate laws in your area before installing any aftermarket part or system on your vehicle to ensure compliance with all applicable laws. Neither Belgrove S.p.A. nor any of their subsidiaries or the seller of the parts or systems make any representation that any of their parts or systems comply with any such laws.

WARNING / CALIFORNIA:

California laws prohibit the use of any aftermarket exhaust part or system that modifies, removes or replaces original equipment catalysts unless the California Air Resources Board had issued an Executive Order regarding such part or system or unless the part or system is exempted by being used only on racing vehicles on closed courses. Neither Belgrove Sp. z o.o. nor any of their subsidiaries make any representation that any of their parts or systems has received such an Executive Order or that any of their parts or systems conform with the racing vehicles exemption. The purchasers are entirely responsible for informing themselves of applicable California laws and to comply with those laws.

QUALIFIED MANUFACTURER DECLARED REPLACEMENT PART:

PRODUCTS ARE CONSIDERED "QUALIFIED MANUFACTURER DECLARED REPLACEMENT PARTS" AS PER CARB REQUIREMENTS ONLY WHEN THE ORIGINAL CATALYTIC CONVERTER(-S) ARE NOT MODIFIED OR REPLACED AND WHEN NO MODIFICATIONS ARE MADE TO THE ECU SETTINGS OR EXHAUST SENSORS. NO EXECUTIVE ORDER HAS BEEN GRANTED OR HAS BEEN REQUESTED BY LEOVINCE NOR TO ITS SUBSIDIARIES OR AUTHORIZED REPRESENTATIVES.

IMPORTANT INFORMATION: EMISSIONS AND NOISE REGULATIONS

NOTE: The California Air Resources Board ("CARB") and/or the Environmental Protection Agency ("EPA") do not permit the use of aftermarket emissions-related part(s) that alter the performance of OEM emissions-related devices unless CARB has issued an Executive Order, other than on racing vehicles on closed courses. Check your local laws and manufacturer's information. More California exhaust information is available at www.arb.ca.gov/.

NOTE: Aftermarket products, including but not limited to exhausts, catalytic converters, oxygen sensors, fuel/air controller modules, air filter kits, camshafts, O2 eliminators, and carburetors and jet kits which alter, modify, or replace emission control devices or systems of an originally compliant highway motorcycle, are not legal for sale or street use in California unless they have been issued a CARB Executive Order. Aftermarket emissions-related products which have not been issued an Executive Order or which are not aftermarket Replacement Parts, as defined in Title 13, California Code of Regulations, Section 1900(b)(2), are authorized for closed circuit race use only.

4

NOTE / NOTES / REMARQUES /
ANMERKUNGEN / NOTAS

- reparar in situ las piezas defectuosas
- exigir el reenvío de la pieza o las partes defectuosas de la pieza para repararlas sustituir las piezas defectuosas;
c. Utilizar la pieza en modo correcto y efectuar el mantenimiento normal.

4.0.0 Limitaciones

Las condiciones generales de garantía no contemplan los siguientes casos:
a. Las piezas presentan defectos causados por accidentes, descuidos y sobrecargas;
b. Uso de los ciclomotores, sobre los cuales dichas piezas están mal montadas;
c. El mantenimiento de los ciclomotores, sobre los cuales dichas piezas están montadas, no ha sido realizada según las modalidades expuestas en el manual de uso y mantenimiento;
d. Piezas excluidas tal como se indica en el párrafo 2.0.0 de la presente garantía;
e. Piezas excluidas por negligencia del propietario en el respeto de las obligaciones especificadas en el párrafo 3.0.0 de la presente garantía.

5.0.0 Responsabilidades

BELGROVE Sp. z o.o. declina toda responsabilidad por daños al silencioso o al revestimiento externo, causado por falta de mantenimiento. BELGROVE Sp. z o.o. queda libre de cualquier responsabilidad y obligación por cualquier accidente a las personas o a las cosas, que puedan derivarse por o durante el uso de los productos suministrados y/o por causas que dependan de los mismos, inclusive durante la eventual prueba conforme. Posibles defectos o demoras en la reparación no dan derecho al Comprador a resarcimiento por daños ni a prórroga de la garantía. Los eventuales gastos de transporte deben considerarse a cargo del Comprador, así como los gastos de inspección que él solicite y que sean aceptados por BELGROVE Sp. z o.o.

La garantía

ofrecida con arreglo al párrafo 1 precedente (con las exclusiones y las limitaciones indicadas en los párrafos 2.3 y 4 constituye la única garantía ofrecida por BELGROVE Sp. z o.o. la cual, por lo tanto, sustituye a todos los efectos, a cualquier otra obligación de ley. BELGROVE Sp. z o.o. se reserva el derecho de aportar modificaciones y/o mejoras a cualquier pieza, sin obligación de efectuarlas sobre las piezas que ya hayan sido vendidas. El Comprador reconoce que por eventuales controversias con BELGROVE Sp. z o.o. será exclusivamente competente la Autoridad Judicial del Foro de Warsaw-Poland.

5.1.0 BELGROVE Sp. z o.o.

declina expresamente cualquier garantía implícita de comerciabilidad e idoneidad para un determinado fin y declina cualquier responsabilidad por daños accidentales y consecuentes o por cualquier otra pérdida que derive del uso de estas piezas, productos y/o componentes. 5.1.0 BELGROVE Sp. z o.o.

37

CONDITIONS GENERALES DE GARANTIE LIMITEE

1.0.0 Garantie.
Toutes les pièces fabriquées par BELGROVE Sp. z o.o. (Ul. Koszykowa 35/1 00-553 Warszawa - Poland, VAT N°: PL1080016712) sont couvertes par une garantie selon la normative en cours, comme indiqué dans les conditions mentionnées aux paragraphes 1.0.0 et 5.0.0 de la présente notice. La garantie est limitée au remplacement des pièces qui auront été reconnues défectueuses ou inutilisables, en terme de matériau ou de fabrication, dans notre usine BELGROVE Sp. z o.o. et par nos services techniques. Les pièces défectueuses remplacées pendant la période de garantie deviennent obligatoirement la propriété de BELGROVE Sp. z o.o..

2.0.0 Exclusion
La garantie consentie par BELGROVE Sp. z o.o. ne s'applique pas aux :
a. pièces fournies pour des moto utilisées dans des compétitions sportives de quelque nature que ce soit;
b. pièces utilisées sur des moto de location;
c. pièces ayant subi une usure normale (matériau de fonoabsorption, joint et autres pièces en caoutchouc);
d. défauts dus à une oxydation ou aux conditions atmosphériques;
e. mauvais usage de la pièce ou de la moto par le propriétaire et/ou le monteur
f. modifications non autorisées ou modifications effectuées par un personnel non agréé par BELGROVE Sp. z o.o..
g. Pour dégâts éventuels survenus suite au démontage du réducteur de bruit (db-killer)

3.0.0 Obligations de l'acheteur
Pour bénéficier de la garantie, l'acheteur doit obligatoirement :
a. Conserver l'original de la facture d'achat
b. Communiquer les défauts éventuels à BELGROVE S.p. Z.O.O. dans les 2 (deux) mois de la découverte du défaut. Dès réception de ladite déclaration, le vendeur devra, au choix, si le défaut est couvert par les dispositions de la présente garantie, soit - réparer sur place les pièces défectueuses - se faire réexpédier la marchandise ou les pièces défectueuses pour les réparer - remplacer les pièces défectueuses;
c. Utiliser la pièce correctement et effectuer un entretien normal.

INDICE - INDEX - INHALTSVERZEICHNIS - INDICE

Disegno tecnico/Technical drawing/Eclaté Technische Zeichnung/Despiece pag. 10

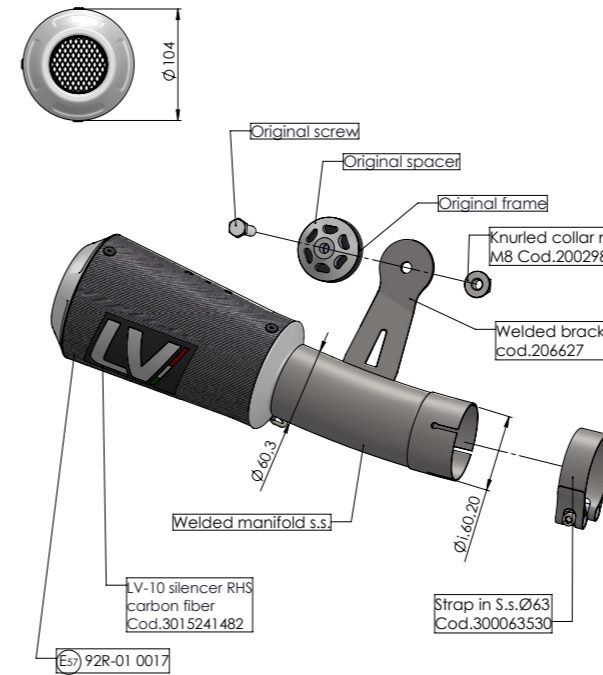
Lista dei componenti/List of components Liste des composants/Inhaltsverzeichnis Lista de componentes pag. 12

PESO/WEIGHT/POIDS/GEWICHT pag. 13

Istruzioni di montaggio pag. 14
Fitting instructions pag. 16
Notice de montage pag. 18
Montageanleitung pag. 20
Instrucciones de montaje pag. 22

E-pass pag. 24

Garanzia pag. 28
Warranty pag. 30
Garantie pag. 32
Garantie pag. 34
Garantía pag. 36



ART. 15241C

BMW S1000 RR

SLIP-ON - LV-10 - CARBON - APPROVED

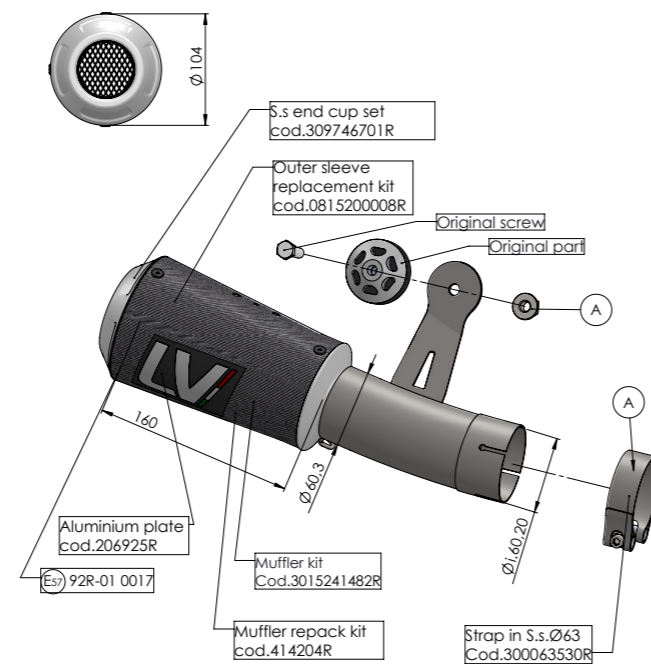
GENERAL CONDITIONS OF WARRANTY EXPLICITLY LIMITED WARRANTY

1.0.0 Guarantee
BELGROVE Sp. z o.o. (Ul. Koszykowa 35/1 00-553 Warszawa - Poland, VAT N°: PL1080016712) warranty all the new parts supplied for according to the Directive in force, as per the terms and conditions indicated in paragraph 1.0.0 and 5.0.0 of the present guarantee.

Our warranty comprises replacement of components which can not be used, or suffer from manufacturing defects, which are returned to us at BELGROVE Sp. z o.o. Components replaced under guarantee become property of BELGROVE Sp. z o.o..

2.0.0 Exclusion
The warranty offered by BELGROVE Sp. z o.o. is not applicable:
a. to components fitted to motorcycles used for sport or any other competition
b. to components fitted to motorcycles used for hire
c. to components suffering from wear and tear as part of their normal function (sound-deadening material, seals and other rubber parts);
d. defects resulting from oxidation or the action of atmospheric agents
e. incorrect use or abuse of the component or the motorcycle by the proprietor or the user
f. unauthorised modifications carried out by personnel not representing BELGROVE Sp. z o.o.
g. Possible damages caused by the removal of noise damper muffler insert (dbkiller/baffle).

3.0.0 Buyer obligations
In order to keep this guarantee valid, you should respect the following:
a. retain the receipt to prove the date of purchase
b. inform BELGROVE Sp. z o.o. within two months of the date when the defect is discovered or should have been discovered using due diligence. On receipt of such a claim, and if the defect is covered by the present warranty, the dealer should, according to the circumstances:
- inspect the defective goods on site,
- have the affected goods sent to him for inspection,
- replace the defective goods.
c. use the product in the correct fashion and carry out normal maintenance.



ART. 15241C SPARE PARTS

BMW S1000 RR

(A) FITTING KIT cod.3015241601R

LISTA DEI COMPONENTI - LIST OF COMPONENTS - LISTE DES COMPOSANTS VERPACKUNGSINHALT - LISTA DE COMPONENTES

ITALIANO	CARBONIO
1 - Silenziatore	cod. 3015241482
2 - Kit minuteria	cod. 3015241601
ENGLISH	CARBON FIBER
1 - Muffler	cod. 3015241482
2 - Fitting kit	cod. 3015241601
FRANCAIS	CARBONE
1 - Silencieux	cod. 3015241482
2 - Kit de fixation	cod. 3015241601
DEUTSCH	CARBON
1 - Endschalldämpfer	cod. 3015241482
2 - Haltesatz	cod. 3015241601
ESPAÑOL	CARBONO
1 - Silenciador	cod. 3015241482
2 - Kit de montaje	cod. 3015241601

4.0.0 Limitations

The general conditions of warranty are cancelled in the following cases:
a. If components returned exhibit defects resulting from accidents, careless use, or abuse.
b. If the motorcycle to which the components have been fitted has been used in an unauthorised fashion
c. If the motorcycle to which the parts have been fitted has not been maintained in accordance with factory recommendations.
d. Where parts excluded as indicated in paragraph 2.0.0 of this guarantee
e. Where parts excluded because of negligence of a proprietor who has failed to respect the specific obligations mentioned in paragraph 3.0.0 of the present guarantee

5.0.0 Responsibility

BELGROVE Sp. z o.o. declines all responsibility for any damage to the silencer or to the outer casing caused by a non-maintenance of the product. BELGROVE Sp. z o.o. is not responsible for incidents which may arise and causes harm to persons or things while the product in question is being used or as a result of use or causes arising from use of the same even during testing. Defect and delays in repair do not give the user a right to compensation, or extension of the guaranty. The cost of transport to return the goods to the factory are to be born by the Buyer, as well as the possible costs of inspection requested by him and accepted by BELGROVE Sp. z o.o..

The warranty

offered in paragraph 1 above (with the exclusions and limitations listed in paragraph 2.0.0, 3.0.0 and 4.0.0) constitutes the only warranty offered by BELGROVE Sp. z o.o., which to all intense replaces any other legal remedy. BELGROVE Sp. z o.o.reserves to itself the right of modifying and improving any product, without having to modify similar products which have already been sold. The Buyer recognises that in the case of the dispute with BELGROVE Sp. z o.o., the competent legal authority will be judiciary of the Court of Warsaw-Poland.

5.1.0 BELGROVE Sp. z o.o.

explicitly offers no warranty implicit or stated, that the goods are suitable or saleable for a particular application, and declines all responsibility for accidental damage or consequent damage or any other loss deriving from the use of these parts, products, or components.

4.0.0 Limitazioni

Le condizioni generali di garanzia vengono a cessare nei seguenti casi:
a. I particolari manifestano difetti derivanti da sinistri, incuria e sovraccarichi;
b. Utilizzo dei motocicli, su cui detti particolari sono montati, in modo non conforme;
c. La manutenzione dei motocicli, su cui detti particolari sono montati non è eseguita secondo le modalità espote nel libretto di uso e manutenzione;
d. Parti escluse come indicato nel paragrafo 2.0.0 della presente garanzia;
e. Parti escluse per negligenza del proprietario all'osservanza delle obbligazioni specificate nel paragrafo 3.0.0 della presente garanzia.

5.0.0 Responsabilità

La BELGROVE Sp. z o.o. declina ogni responsabilità qualora una mancata manutenzione arrechi danni al silenziatore o all'involucro esterno. La BELGROVE Sp. z o.o. è esonerata da ogni responsabilità ed obbligazione per qualsiasi incidente alle persone o alle cose che possano comunque verificarsi per o durante l'uso di ei prodotti forniti e per cause o in dipendenza dei medesimi, anche durante l'eventuale collaudo. Eventuali difettosità o ritardi nella riparazione non danno diritto al Compratore a risarcimento di danni né a proroga di garanzia. Eventuali spese di trasporto sono da considerare a carico del Compratore, come pure le spese di sopralluogo da lui richiesto ed accettato dalla BELGROVE Sp. z o.o..

La garanzia

offerta ai sensi del precedente paragrafo 1 (con le esclusioni e le limitazioni di cui ai paragrafi 2.3 e 4) costituisce l'unica garanzia offerta da BELGROVE Sp. z o.o., la quale pertanto sostituisce ad ogni effetto qualsiasi altro rimedio di legge. La BELGROVE S.p. Z.O.O. si riserva il diritto di apportare modifiche e miglioramenti a qualsiasi particolare, senza obbligo di effettuare tali modifiche sui particolari già venduti. Il Compratore riconosce che per eventuali controversie nei confronti della BELGROVE S.p. Z.O.O. sarà esclusivamente competente l'Autorità Giudiziaria del Foro di Warsaw - poland.

5.1.0 La BELGROVE Sp. z o.o.

declina espressamente qualsiasi garanzia implicita di commerciabilità ed idoneità per un determinato fine e declina ogni e qualsiasi responsabilità per danni accidentali e conseguenti o per qualsiasi altra perdita derivante dall'uso di queste parti, prodotti e/o componenti.

I

CONDIZIONI GENERALI DI GARANZIA GARANZIA ESPLICITA LIMITATA

1.0.Garanzia

La BELGROVE Sp. z o.o. (Ul. Koszykowa 35/1 00-553 Warszawa - Poland, VAT N°: PL1080016712) garantisce tutti i particolari nuovi in accordo alla Normativa vigente come da termini e condizioni indicate nei paragrafi 1.0.0 e 5.0.0 della presente garanzia. La garanzia consiste nella sostituzione di particolari inutilizzabili o inefficienti per difetto di fabbricazione accertato e riconosciuto franco stabilimento BELGROVE Sp. z o.o.. I particolari difettosi sostituiti in garanzia diventano di proprietà della BELGROVE Sp. z o.o..

2.0.0 Esclusione

La garanzia offerta da BELGROVE Sp. z o.o. non è applicabile:

- per particolari utilizzati su motocicli impegnati in competizioni sportive di qualsiasi tipo;
- per particolari utilizzati su motocicli impegnati in servizio di noleggio;
- per particolari soggetti ad usura a seguito del loro normale funzionamento (materiale fonoassorbente, guarnizioni e altre parti in gomma);
- per difettosità derivate da ossidazione o da azioni degli agenti atmosferici;
- uso improprio o abuso del particolare o del motociclo da parte del proprietario e/o operatore;
- modifiche non autorizzate o modifiche effettuate da personale non rappresentante la BELGROVE Sp. z o.o..
- per eventuali danni causati dalla rimozione del dispositivo di abbattimento del rumore (db-killer).

3.0.0 Obblighi del compratore

Al fine di mantenere valide le condizioni generali di garanzia, devono essere osservate le seguenti indicazioni:

- Disporre del documento fiscale comprovante l'acquisto del particolare;
- Comunicare eventuali difetti alla BELGROVE Sp. z o.o. entro 2 (due) mesi dal momento in cui detti difetti sono scoperti o avrebbero dovuto essere scoperti usando la normale diligenza. All'atto del ricevimento di tale dichiarazione, il venditore dovrà, a sua scelta, se il difetto è coperto dalle disposizioni della presente garanzia, - riparare in loco le merci difettose - farsi rispedire la merce o le parti della merce difettosa per ripararle - sostituire le merci difettose;
- Utilizzare il particolare in modo corretto ed effettuare la normale manutenzione.

28

E

Este escape LeoVince identificado está aprobado por la CEE. Respeta las Directivas Europeas y se distingue por el número de homologación impreso sobre el silenciador. El usuario que adquiere y monta un producto LeoVince homologado sobre su ciclo- motor, tiene derecho a: 1 Circular libremente en la calle (no solamente en el propio país, sino en todo el territorio europeo). En caso de controles efectuados por los organismos pertinentes y/o ITV periódica, la presentación del certificado de Homologación adjunto es suficiente para demostrar la total compatibilidad con el vehículo al que está destinado y, consecuentemente, para autorizar el montaje. 2 Efectuar la sustitución sin tener que modificar o actualizar la carta de circulación del vehículo; para Italia, la posibilidad de instalar un silenciador homologado no original está permitida por la ley, sin que sea obligatorio la inscripción en la Tarjeta de Identificación Vehicular.

Cuidado: Cualquier manipulación del producto priva al usuario de los derechos recién enumerados.

Atención: junto con la documentación del producto, encontrarán una etiqueta antivandálica que presenta el número de homologación del terminal/escape. Dicha etiqueta debe ser aplicada junto a la placa de control que presenta los datos de homologación del vehículo

26

PESO - WEIGHT - POIDS - GEWICHT (Kg)	2,2 (Kg)	Titanium	/
		Carbon	1,11
		Stainless steel	/
		LeoVince	
ORIGINALE - STOCK - ORIGINE - ORIGINAL			

13

4.Fissare quindi la fascetta per assicurare l'accoppiamento del collettore Leovince alla tubazione dell'impianto originale.

5. Avviare il motore, attendere alcuni minuti che venga raggiunta la temperatura di funzionamento e verificare che non vi siano fughe di gas.

NOTA BENE:

durante i primi km di utilizzo l'impianto di scarico, subirà degli assestamenti ed è possibile che si verifichino minime fughe di gas. Dopo una percorrenza di circa 100 km è necessario effettuare un controllo del serraggio di tutta la bulloneria.

REGOLAZIONE:

la messa a punto di questo silenziatore è stata effettuata nello stabilimento Leovince su banco di prova elettronico con un veicolo in perfetto stato di utilizzo e regolazioni standard.

MANUTENZIONE:

verificare periodicamente gli attacchi del silenziatore e tutti gli elementi che possono deteriorarsi con l'uso (materiale fonoassorbente, guarnizioni e altre parti in gomma) e provvedere alla loro periodica sostituzione. Per la pulizia del silenziatore è possibile utilizzare benzina, gasolio ed alcool. Non possono essere usati solventi di alcun tipo. Un eventuale cambiamento del colore del silenziatore è dato da un utilizzo normale e dipende dalla natura dei materiali e dal calore.

E' VIETATA ogni modifica o manomissione del silenziatore di scarico; qualora eseguita, la BELGROVE Sp. z o.o. declina ogni responsabilità derivante da vizi, difetti e cattivo funzionamento del prodotto manomesso o modificato.

É consigliato per il montaggio l'ausilio di personale specializzato

15

I

ISTRUZIONI DI MONTAGGIO

LISTA DEI COMPONENTI FORNITI:

Fare riferimento alla distinta componenti ed al disegno del prodotto presenti in questo libretto.

ATTENZIONE:

prima di effettuare qualsiasi operazione accertarsi che la temperatura superficiale del blocco motore e dell'impianto di scarico sia tale da non procurare danni all'operatore e/o alle parti non resistenti al calore (carene, tubazioni, guaine ecc.).

INSTALLAZIONE:

1. Smontare il silenziatore originale.

2. Inserire il silenziatore Leovince sul rispettivo collettore e dopo aver verificato il corretto allineamento degli occhielli delle molle e del bocchettone posteriore (uscita dei gas di scarico), vincolare le due parti con la molla in dotazione.

3. Montare distanziali, rondelle e staffe di supporto (quando presenti) come indicato a disegno e serrare il tutto con l'apposita bulloneria.

14

GB

FITTING INSTRUCTIONS

LIST OF SUPPLIED PARTS:

Refer to the list of components and the product drawing included in this booklet.

WARNING:

before carrying out any work on the exhaust, check that its surface has cooled so that it will not damage components, which are not heat-resistant (such as fairing, hoses, rubber sleeves, etc.), or the operator.

INSTALLATION:

1.Remove the OE silencer.

2. Slide the Leovince silencer onto the link pipe, check the alignment of the mounting eyes for the springs and the alignment of the exhaust outlet to the rear of the silencer, and then link the parts together with the springs provided

3.Mount spacers, washers and brackets (if any) as shown on the drawing and then secure by tightening nuts and bolts.

16



CODICE ARTICOLO
PRODUCT CODE
REFERENCE PRODUIT
ARTIKELNUMMER
REFERENCIA PRODUCT

15241C

MARCA E MODELLO
MAKE AND MODEL
MARQUE ET MODELE
HERSTELLER UND
MODELL
MARCA Y MODELO

BMW S1000 RR

TIPO TECNICO
VEHICLE TYPE
TYPE MINE
FAHRZEUGTYP
TIPO TECNICO

2R99; 0E21/A

NUMERO DI OMOLOGAZIONE
APPROVAL NBR
NUMERO D'HOMOLOGATION
ZULASSUNGNUMMER
NUMERO DE HOMOLOGACION

92R - 01 0017

CONFORME ALLA NORMATIVA
COMPLY WITH THE NORM
RESPECTE LA NORMATIVE
ENTSPRICHT DER NORM
RESPETA LA NORMATIVA

ECE REGULATION R92

27

F

Ce pot d'échappement LeoVince a obtenu l'homologation CEE. Ils respect les Directives européennes et porte le numéro d'homologation apposé sur le dispositif. L'utilisateur qui achète et monte sur son véhicule, un produit LeoVince homologué a droit à: 1 circuler librement sur route (dans son pays d'origine mais aussi sur tout le territoire européen). En cas de contrôles effectués par les autorités compétentes, la présentation du certificat d'homologation ci-joint, suffit à démontrer la totale compatibilité avec le véhicule auquel il est destiné et donc à autoriser son montage. 2 effectuer le remplacement sans devoir modifier la carte grise du véhicule; en l'Italie la possibilité d'installer un silencieux homologué non d'origine est autorisée par la loi, sans que ce changement ne soit inscrit sur la carte grise.

Attention: toute modification apportée au produit annule la certification.

N.B. Avec la documentation du produit, vous trouverez aussi un adhésif contre la falsification indiquant le numéro d'homologation du pot d'échappement. Cet adhésif doit être appliqué près de la plaquette de contrôle indiquant les données de homologation du véhicule.

D

Die LeoVince Auspuffanlagen mit dem Erkennungszeichen "e-Pass" verfügen über eine EGZulassung. Sie entsprechen der europäischen Richtlinie und sind durch die jeweilige auf das Produkt gestempelte. Der Kunde, der ein zugelassenes LeoVince - Produkt mit "e-Pass" erwirbt und in sein Fahrzeug einbaut, hat folgende Rechte: 1 Freie Benutzung im Strassenverkehr (nicht nur im eigenen Land, sondern in allen EG-Ländern). Im Fall einer behördlichen Kontrolle reicht die Vorlage des anliegenden Zulassungsscheins aus, um die komplette Kompatibilität mit dem Fahrzeug, für welches das Teil bestimmt ist, nachzuweisen und somit die Montage zu genehmigen. 2 Der Austausch kann ohne Änderung oder Nachtrag des Kraftfahrzeugscheins erfolgen; wie aus dem Rundschreiben des Transport- und Verkehrsministeriums hervorgeht (siehe anliegende Kopie). Es darf nach ITALIENISCHEM Recht ein Nachrüstuschalldämpfer installiert werden, ohne dass die Kennnummer des zugelassenen Schalldämpfers von LeoVince im Kraftfahrzeugschein eingetragen werden dürfen.

Vorsicht: jegliche Abänderung des Produktes durch den Benutzer setzt die obengenannten Rechte ausser Kraft.

Wichtig: Mit den Produktsunterlagen wird eine Reißfest-Klebeetikette mit der Endtopf/Auspuff-Zulassungsnummer geliefert. Diese Klebeetikette der neben dem Typschild mit den Zulassungsangaben des Fahrzeugs verbindlich aufzukleben.

25



I

“Questo terminale/impianto di scarico LEOVINCE ha ottenuto l'omologazione ai fini delle direttive Europee. Il numero di omologazione è marchiato sul prodotto stesso. Il cliente che acquista e monta sul proprio veicolo un prodotto LEOVINCE omologato (che rispetta quindi la normativa di seguito indicata nel certificato di avvenuta omologazione), ha diritto a: 1 circolare liberamente su strada (non soltanto nella propria nazione, ma su tutto il territorio europeo). In particolare, nel caso di controlli effettuati dagli organi preposti e/o revisione periodica del veicolo, la presentazione del certificato di omologazione allegato, è sufficiente a dimostrare la totale compatibilità con il veicolo a cui è destinato e quindi ad autorizzarne il montaggio. 2 effettuare tale sostituzione senza dover modificare o aggiornare la carta di circolazione del veicolo. Attenzione: qualsiasi manomissione del prodotto priva l'utente dei diritti sopra elencati.

N.B.: allegato alla documentazione del prodotto, troverete un adesivo antimanomissione riportante il numero di omologazione del terminale/scarico, tale adesivo va applicato accanto alla targhetta di controllo riportante i dati di omologazione del veicolo.”

GB

This e-marked LeoVince exhaust system has been granted by an EEC approval. It is manufactured in accordance with European directives and is marked with the appropriate homologation number which is stamped into the product. Customers who purchase an e-marked LeoVince product and fit it to their own machine have the following rights: 1 The machine can be used freely on the road, not only in their own national territory, but throughout the EC. In particular, if they are subject to an inspection by the nominated government department, and they show the homologation certificate which is enclosed, this will be sufficient to prove the suitability of the exhaust for the vehicle to which it is fitted. 2 The rider has the right to fit this exhaust with no modification to the registration document of the vehicle. In Italy, the law authorises fitting of a type-approved after-market exhaust without any need to endorse the registration document with the part number of the homologated LeoVince exhaust.

Warning: Tampering or modification to the device will invalidate the certification

Note: an anti-tamper label is enclosed to the product documentation, showing the type-approval number of the silencer/exhaust system. Such label must be affixed near the control dataplate printed with the type-approval data of the vehicle.

24

E

INSTRUCCIONES DE MONTAJE

LISTA DE COMPONENTES SUMINISTRADOS:

Comprobar la lista de componentes con el dibujo del producto presente en este manual.

PRECAUCIONES: Antes de efectuar cualquier operación, hay que asegurarse de que la temperatura superficial del silenciador del escape no pueda causar daños al operario y/o a las piezas que no resisten el calor (carenas, tuberías, vainas etc.).

MONTAJE:

1. Desmontar el silenciador original.

2. Insertar el silenciador Leovince sobre el colector y, después de haber verificado la correcta alineación de las argollas de los muelles y de la boca trasera (salida de los gases de escape), conectar las dos partes con el muelle en dotación.

3. Montar los separadores, las arandelas y los estribos de soporte (cuando están presentes) tal como se indica en el diseño y apretar todo con los bulones apropiados.

22

4. Tighten the various clamps which join the Leovince link pipe to the OE exhaust headers.

5. Start the engine, wait a few minutes until it reaches operating temperature, and check that there are no gas leaks.

IMPORTANT:

During the first km of running, the exhaust system needs breaking-in; therefore, slight gas leakage might occur. After approximately 100 Km, check all the fasteners.

ADJUSTEMENT:

This silencer has been developed by Leovince on an electronic dynamometer using a vehicle in perfect condition, and in standard trim

MAINTENANCE:

From time to time, check all the brackets and fasteners, which could be affected by use (sound-deadening material, seals and other rubber parts) and replace them periodically. The silencer may be cleaned using gasoline, diesel oil or alcohol. Absolutely avoid the use of any kind of solvent. It is normal for there to be some discolouration of the silencer, which is the result of heat and the nature of the materials used.

IT IS FORBIDDEN to modify silencers. Whatever form this may take, BELGROVE Sp. z o.o. declines any responsibility for defects, problems, or malfunction, arising from the use of any product which has been modified or tampered with.

We suggest the fitting to be made by professionals

17

4. Fixer ensuite la collier pour assurer l'emboîtement du collecteur Leovince au collecteurs d'origine.

5. Mettre en marche le moteur, attendre quelques instants afin que la température de fonctionnement soit atteinte puis vérifier qu'il n'y a pas de fuites.

IMPORTANT:

Pendant les premiers km d'utilisation, l'échappement se positionnera. Il est possible qu'il y ait de légères fuites de gaz. Un contrôle du serrage de tous les boulons doit être fait après 100 km.

REGLAGE:

La mise au point de ce silencieux est faite dans l'usine Leovince sur un banc d'essai électronique avec un véhicule en parfait état de marche et des réglages standards.

ENTRETIEN:

Vérifier périodiquement les fixations du silencieux et tous les éléments susceptibles de s'abîmer avec le temps (matériau de fonoabsorption, joint et autres pièces en caoutchouc) et les remplacer périodiquement. Pour le nettoyage du silencieux, on peut utiliser de l'essence, du gazole ou de l'alcool. Absolument éviter tout type de solvable solvant. Un éventuel changement de couleur du silencieux est dû à une utilisation normale et provient de la nature des matériaux et de la chaleur.

IL EST ABSOLUMENT INTERDIT de modifier le silencieux d'échappement; dans le cas contraire, BELGROVE Sp. z o.o. décline toute responsabilité.

Nous conseillons d'effectuer le montage a l'aide personnel specialise

19

F

NOTICE DE MONTAGE

LISTE DES PIECES FOURNIES:

Se référer à la liste des pièces et au croquis du produit inclus dans cette notice .

ATTENTION:

Avant d'effectuer toute opération, vérifier que le pot d'échappement est bien froid afin d'éviter toute brûlure et toute détérioration aux pièces (carénage, tubes, gaines, etc.).

MONTAGE:

1. Démontez le silencieux d'origines.

2. Installer le silencieux Leovince sur le collecteur et après avoir vérifié le bon alignement des ressorts et du tube arrière (sortie de gaz d'échappement), bloquer les deux parties avec le ressort fournis.

3. Monter les entretoises, les rondelles et les étriers de support (lorsque prévus) selon le schéma, et serrer donc tout l'ensemble par la boulonnerie fournie.

18

D

MONTAGEANLEITUNGEN

BESTANDTEILE-LISTE:

Maßgeblich ist die in diesem Heft enthaltene Komponentenliste und die Zeichnung des Produktes.

ATTENTION:

Bitte vergewissern Sie sich vor jeder Benutzung, daß die Oberflächentemperatur der Auspuffanlage keine Gefahr für den Benutzer bzw. für die nicht hitzebeständigen Teile (Verkleidungen, Leitungen, Ummantelungen usw.) darstellt.

MONTAGE:

1. Den Original-Schalldämpfer ausbauen.

2. Den Leovince -Schalldämpfer am entsprechenden Krümmer einsetzen und prüfen, ob die Ösen der Federn und des hinteren Stützens (Austritt der Abgase) auf einer Linie liegen. Die beiden Teile mit der/den mitgelieferten Feder/n befestigen.

3. Montieren Sie die Abstandhalter, die Unterlegscheiben und die Stützbügel (falls vorhanden) und befestigen Sie alles mit den mitgelieferten Schrauben (siehe Zeichnung).

20

4. Fijar entonces la abrazadera para asegurar el acoplamiento del/los colector Leovince a la tubería de la instalación original.

5. Encender el motor, aguardar algunos minutos hasta que se alcance la temperatura de funcionamiento y verificar que no existan fugas de gas.

ADVERTENCIA:

Durante los primeros Km. de empleo, el silenciador del escape sufrirá unos asentamientos y es posible que se comprueben mínimos escapes de gas. Después de un recorrido de aproximadamente 100 km. es necesario efectuar un control del apretado de todos los tornillos.

REGLAJE:

La puesta a punto de este silenciador ha sido efectuada en la Fabrica Leovince sobre un banco de pruebas electrónico, con un vehículo en perfecto estado de uso y regulaciones standard.

MANTENIMIENTO:

Verificar periódicamente las uniones del silenciador y todos los elementos que puedan deteriorarse con el uso (material fonoabsorbente, guarniciones y otras piezas en goma) y sustituirlas periódicamente. Para la limpieza del silenciador se puede utilizar gasolina, gasóleo y alcohol. No se puede utilizar solventes de ningún tipo. Un eventual cambio del color del silenciador es normal con el uso y depende de la naturaleza de los materiales y del calor.

ESTÁ TERMINANTEMENTE PROHIBIDA cualquier modificación y/o manipulación del silenciador de escape; en caso de realizarse, BELGROVE Sp. z o.o. declina cualquier responsabilidad que pueda derivar de vicios, defectos y mal funcionamiento del producto manipulado y/o modificado.

Aconsejamos de efectuar el montaje con el ayuda de un especialista

23

4. Danach die Schelle befestigen, um die Verbindung des Leovince-Krümmer mit dem Rohr der Originalanlage sicherzustellen.

5. Den Motor anlassen, einige Minuten warten, bis die Betriebstemperatur erreicht wird und sicherstellen, daß nirgendwo Auspuffgas austritt, ggf alle Schrauben noch einmal nachziehen.

ZUR BEACHTUNG:

Während der ersten gefahrenen km fährt sich die gesamte Auspuffanlage ein und es ist möglich, daß sich minimale Gasaustritte bemerkbar machen. Nach etwa 100 km Fahrt müssen alle Schrauben überprüft werden und ggf nachgezogen werden.

EINSTELLUNG:

Die Vergasereinstellung bei der Montage dieses Schalldämpfers wurde im Leovince-Werk auf einem elektronischen Prüfstand mit einem Fahrzeug in perfektem Benutzungszustand und mit der vom Werk vorgesehenen Regulierung vorgenommen.

WARTUNG:

Bitte überprüfen Sie in regelmäßigen Abständen die Anschlüsse des Schalldämpfers und alle verschleißanfälligen Elemente (Schalldämmungsmaterial, Dichtungen u. andere Gummitteile) und die von Zeit zu Zeit austauschen. Zur Reinigung des Schalldämpfers Benzin, Gasöl oder Alkohol benutzen. Keine Lösemittel verwenden. Eine eventuelle Verfärbung des Schalldämpfers kann beim normalen Gebrauch auftreten und ist kein Grund zur Reklamation

VERBOTEN IST jegliche Veränderung bzw. Eingriffe am Auspuff-Schalldämpfer: bei Zuwiderhandlung lehnt BELGROVE Sp. z o.o. jegliche Verantwortung infolge von Schäden, Defekten und mangelnder Funktionsfähigkeit des veränderten Produktes ab.

Wir empfehlen, dass die montage mit der hilfe von spezialisten durchgeführt wird

21