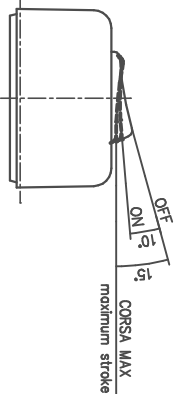
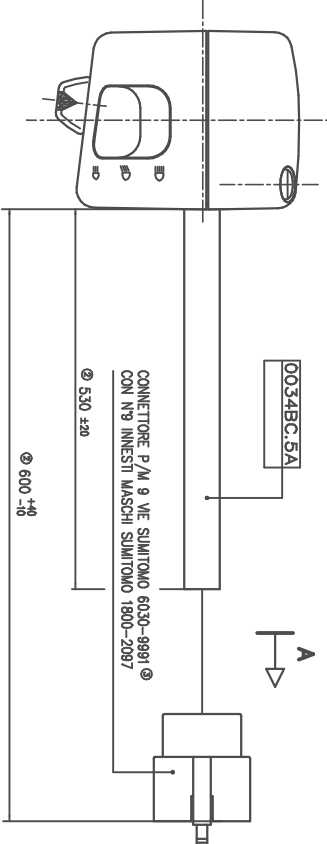
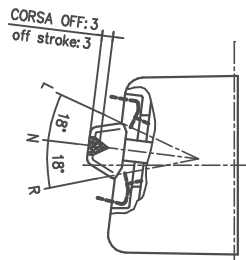
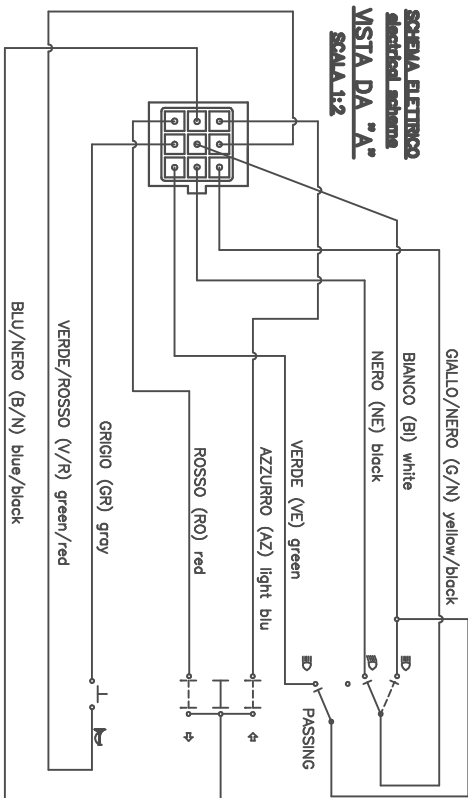
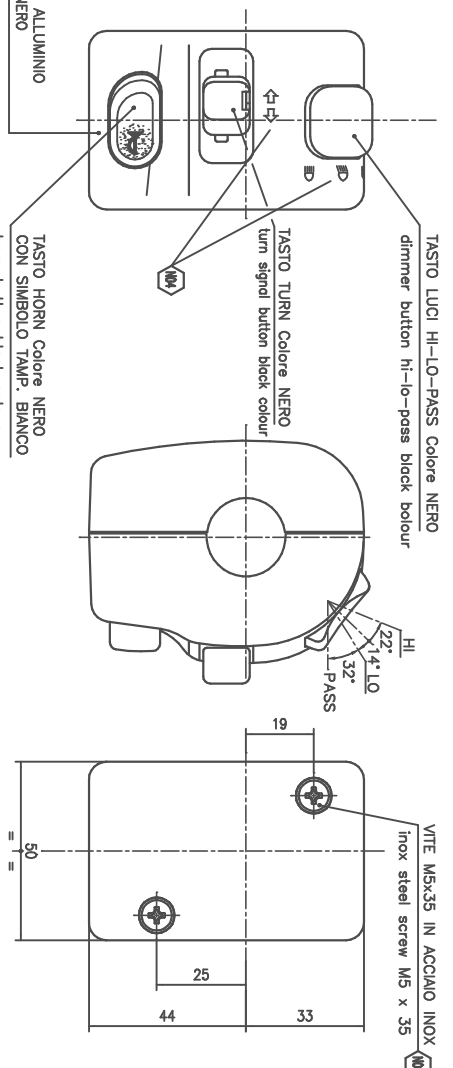
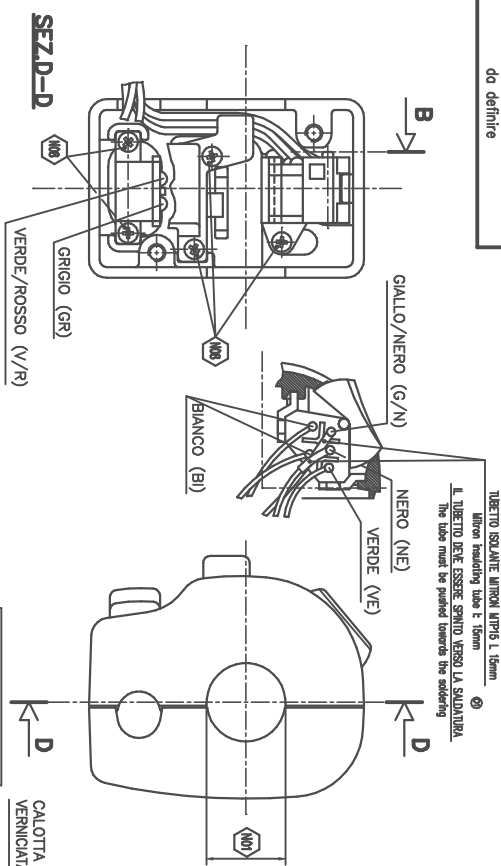


FLASHER SWITCH (TUMBU)	SWITCH DIMMER / PASSING SWITCH	HORN SWITCH																																
<table border="1"> <tr> <th>AZ</th> <th>B/N</th> <th>RO</th> <th>GR</th> <th>VE</th> <th>GR</th> <th>V/R</th> </tr> <tr> <td>○</td> <td>○</td> <td>○</td> <td>○</td> <td>○</td> <td>○</td> <td>○</td> </tr> </table>	AZ	B/N	RO	GR	VE	GR	V/R	○	○	○	○	○	○	○	<table border="1"> <tr> <th>ED</th> <th>HI</th> <th>LO</th> <th>PASS</th> </tr> <tr> <td>○</td> <td>○</td> <td>○</td> <td>○</td> </tr> </table>	ED	HI	LO	PASS	○	○	○	○	<table border="1"> <tr> <th>A</th> <th>ROSSO</th> <th>GR</th> <th>V/R</th> <th>5 A</th> </tr> <tr> <td>○</td> <td>○</td> <td>○</td> <td>○</td> <td>○</td> </tr> </table>	A	ROSSO	GR	V/R	5 A	○	○	○	○	○
AZ	B/N	RO	GR	VE	GR	V/R																												
○	○	○	○	○	○	○																												
ED	HI	LO	PASS																															
○	○	○	○																															
A	ROSSO	GR	V/R	5 A																														
○	○	○	○	○																														
<table border="1"> <tr> <th>N</th> <th>PRELATO</th> <th>GR?</th> </tr> <tr> <td>○</td> <td>○</td> <td>○</td> </tr> </table>	N	PRELATO	GR?	○	○	○	<table border="1"> <tr> <th>ED</th> <th>HI</th> <th>LO</th> <th>PASS</th> </tr> <tr> <td>○</td> <td>○</td> <td>○</td> <td>○</td> </tr> </table>	ED	HI	LO	PASS	○	○	○	○	<table border="1"> <tr> <th>A</th> <th>ROSSO</th> <th>GR</th> <th>V/R</th> <th>5 A</th> </tr> <tr> <td>○</td> <td>○</td> <td>○</td> <td>○</td> <td>○</td> </tr> </table>	A	ROSSO	GR	V/R	5 A	○	○	○	○	○								
N	PRELATO	GR?																																
○	○	○																																
ED	HI	LO	PASS																															
○	○	○	○																															
A	ROSSO	GR	V/R	5 A																														
○	○	○	○	○																														
FUNCTIONING FORCE da definire	FUNCTIONING FORCE 8N ±3N	FUNCTIONING FORCE 8N ±3N																																



0030AA, 5A.05	DISPOSITIVO CON CONFEZIONE IN SCATOLA PER RICAMBIO spare switch packaged into cardboard box
0030AA, 5A.04	DISPOSITIVO CON CONFEZIONE IN SACCHETTO PER RICAMBIO spare switch packaged into plastic bag
0030AA, 5A.03	DISPOSITIVO CON CONFEZIONE INDUSTRIALE IN CONTENITORI A RENDERE manufacturing packaging switch into plastic case to be returned
0030AA, 5A.02	DISPOSITIVO CON CONFEZIONE INDUSTRIALE SENZA SACCHETTO manufacturing packaging switch without plastic bag
0030AA, 5A.01	DISPOSITIVO CON CONFEZIONE INDUSTRIALE IN SACCHETTO manufacturing packaging switch into plastic bag
CODICE part number	DENOMINAZIONE description



- Formato A2
- 140) DISPOSITIVO ADATTO PER MANUBRI Ø22-43 mm
Switch suitable for handbars Ø22-43 mm
 - 141) CAVI IN RAFFI SEZ. 0,75 mm²
Copper cable section 0,75 mm²
 - 142) RIVESTIMENTO CAVETTI IN VITOLA COLORATA
DIAMETRO ESTERNO ISOLANTE ~ 2 mm
colored cable in coloured polyvinyl chloride
outside diameter: ~2mm
 - 143) SIMBOLI TAMPOGRAFATI COLORE BIANCO
White printed symbols
 - 144) COPPIA DI SERRAGGIO VITE : 2x3 Nm
Tightening Torque:
 - 145) * = LE PRESENTI QUOTE SONO INDICATIVE
AI FINI DELL'INGOMBRIO.
 - 146) TENSIONE NOMINALE : 12V
Nominal voltage: 12V
 - 147) COPPIA DI SERRAGGIO VITE : 0,5 + 1 Nm
Tightening Torque:

VOLONTARI		DESCRIZIONE	
03	MOD. COD. CONNETTORE	0030AA, 5A.00-03	DISPOSITIVO ELETTRICO SX Left handle switch
02	MOD. QUOTA DA 720 A 600 E DA 650 A 530	1	DISERNO N°
01	AGGIUNTO N°2 TUBETTI ISOLANTI	1	DISERNO N°
Esp. mod.		Esp. mod.	

domino S.p.A.

0030AA, 5A.00-03